

Sigma 60 2-way | 2X8W

Product Reference

Environment Indoor
Installation Ceiling Recess

Construction & Materials

Housing Aluminium
Primary Lens -
Primary Reflector PC metallised
Secondary Reflector Anodised
Body Finish White,Black
Diffuser -
Antiglare Baffle -

Thermal Management

Heat Sink Material Die cast Aluminium
Cooling Technique Passive Cooling

Optical System

Beam Direction Fixed
Tilt No
Swivel No

Electrical System

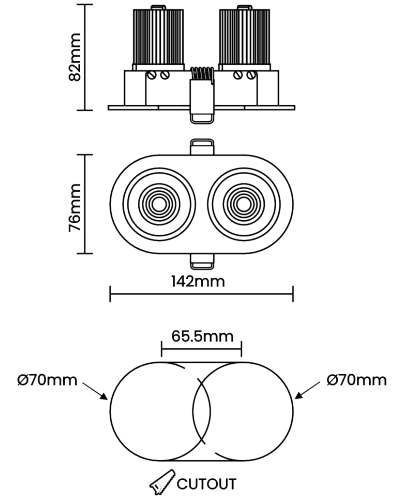
Driven with Constant Current Driver
Input Voltage/Hz 220V- 240V/50-60Hz
Control Gear Included
Mounting Integral
LED Power Watts 13W
System Power Watts 15W
Operating Voltage Vin 220-240Vac
Power Factor p.f. >0.95

Ordering Details

Code Example:	Name	Watt	CCT	CRI	Angle	Finish	Control
	Sigma 60 2-way	2x8W	WW27K	CRI80	29°(MD)	SWH	On/Off

Select one from each column with highlighted values to create the ordering code

NAME	WATT	LUMEN	EFFICACY	CCT	CRI	ANGLE	FINISH	CONTROL
Sigma 60 2-way	2x8W	2x615	82	2700K	WW27K	CRI80	29°(MD) 29°(MD)	White SWH Non Dimmable On/Off
		2x630	84	3000K	WW30K	CRI90	42°(WD) 42°(WD)	Black SBL Phase Dimmable PDIM
		2x660	88	4000K	NW40K		62°(VWD) 62°(VWD)	Dali Dimmable DDIM
		2x675	90	5700K	CW57K			
Sigma 60 2-way	2x8W			WW27K	CRI80	29°(MD)	SWH	On/Off



Light Distribution

LED Technology

Binning 3 Step MacAdam
LED Life Time @ L80/B10 >50000 hours
Colour Rendering (CRI) CRI80,CRI90
Led Type -
LED Fitted Cree COB LED 33V-36Vdc/180mA

Controls

Standard Switchable On/Off
Optional DDIM