

# ProLed 75 PF | 18W

## Product Reference

Environment Indoor

Installation Ceiling Recess

## Construction & Materials

Housing Die Cast Aluminium

Primary Lens PMMA

Primary Reflector -

Secondary Reflector Anodised

Body Finish White,Black

Diffuser -

Antiglare Baffle -

## Thermal Management

Heat Sink Material Die cast Aluminium

Cooling Technique Passive Cooling

## Optical System

Beam Direction Fixed

Tilt Yes

Swivel No

## Electrical System

Driven with Constant Current Driver

Input Voltage/Hz 220V- 240V/50-60Hz

Control Gear Included

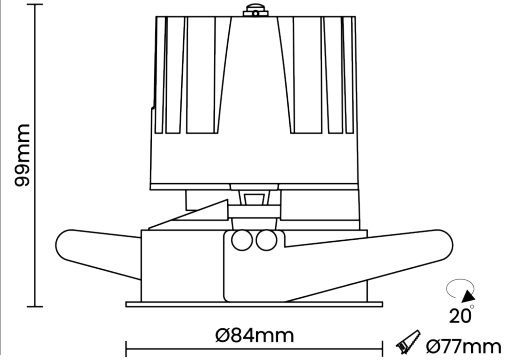
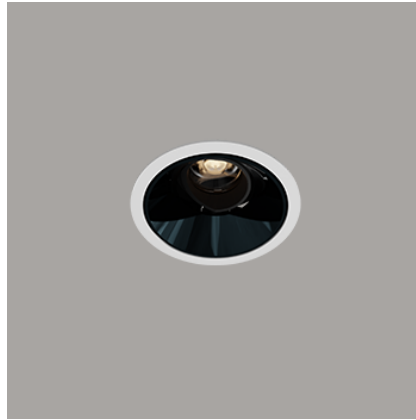
Mounting Remote

LED Power Watts 15.3W

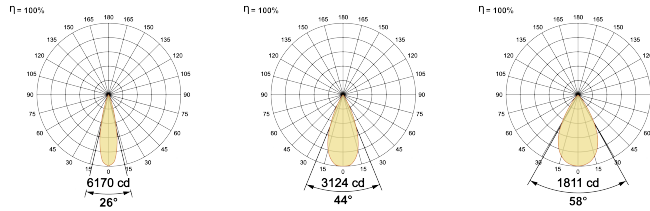
System Power Watts 17.6W

Operating Voltage  $V_{in}$  220-240Vac

Power Factor p.f. >0.95



## Light Distribution



## LED Technology

Binning 3 Step MacAdam

LED Life Time @ L80/B10 >50000 hours

Colour Rendering (CRI) CRI80,CRI90

Led Type COB

LED Fitted Cree COB LED 36Vdc/450mA

## Controls

Standard Switchable On/Off

Optional PDIM,DDIM,BTTM,CASAMBI,Non Dimmable

## Ordering Details

Code Example:	Name	Watt	CCT	CRI	Angle	Finish	Control
	<b>ProLed 75 PF</b>	<b>18W</b>	<b>2700K</b>	<b>CRI80</b>	<b>26°(MD)</b>	<b>SWH</b>	<b>On/Off</b>

Select one from each column with highlighted values to create the ordering code

NAME	WATT	LUMEN	EFFICACY	CCT	CRI	ANGLE	FINISH	CONTROL
ProLed 75 PF	18W	1426	81	2700K	<b>2700K</b>	<b>CRI80</b>	26°(MD) 26°	White <b>SWH</b> Non Dimmable <b>On/Off</b>
		1478	84	3000K	<b>3000K</b>	CRI90	44°(WD) 44°	Black <b>SBL</b> Phase Dimmable <b>PDIM</b>
		1549	88	4000K	<b>4000K</b>		58°(VWD) 58°	Dali Dimmable <b>DDIM</b>
		1584	90	5700K	<b>5700K</b>			Bluetooth Dimmable <b>BTTM</b>
							Casambi <b>CBTM</b>	
ProLed 75 PF	18W			2700K	CRI80	26°(MD)	SWH	On/Off

