

ProLed 75 TL | 18W

Product Reference

Environment Indoor

Installation Ceiling Recess

Construction & Materials

Housing Die Cast Aluminium

Primary Lens PMMA

Primary Reflector -

Secondary Reflector Anodised

Body Finish White,Black

Diffuser -

Antiglare Baffle -

Thermal Management

Heat Sink Material Die cast Aluminium

Cooling Technique Passive Cooling

Optical System

Beam Direction Fixed

Tilt Yes

Swivel No

Electrical System

Driven with Constant Current Driver

Input Voltage/Hz 220V- 240V/50-60Hz

Control Gear Included

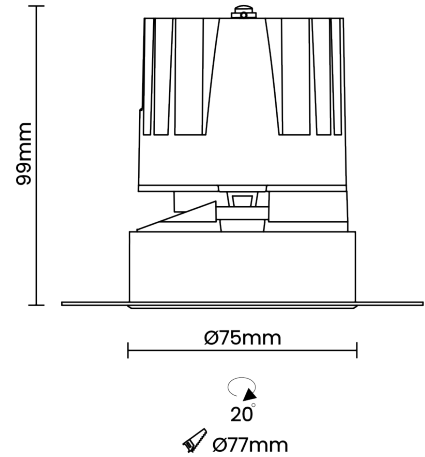
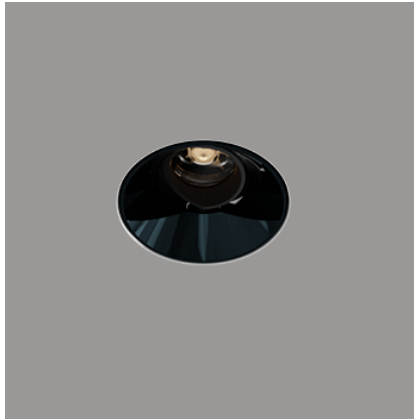
Mounting Remote

LED Power Watts 15.3W

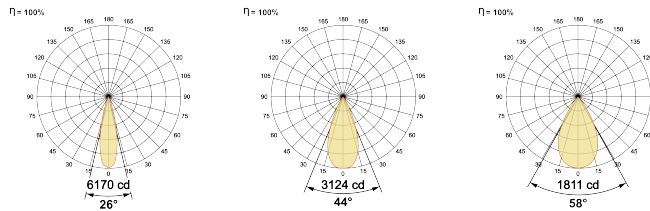
System Power Watts 17.6W

Operating Voltage V_{in} 220-240Vac

Power Factor p.f. >0.95



Light Distribution



LED Technology

Binning 3 Step MacAdam

LED Life Time @ L80/B10 >50000 hours

Colour Rendering (CRI) CRI80,CRI90

Led Type COB

LED Fitted Cree COB LED 36Vdc/450mA

Controls

Standard Switchable On/Off

Optional PDIM,DDIM,BTTM,CASAMBI,Non Dimmable

Ordering Details

Code Example:	Name	Watt	CCT	CRI	Angle	Finish	Control
	ProLed 75 TL	18W	2700K	CRI80	26°(MD)	SWH	On/Off

Select one from each column with highlighted values to create the ordering code

NAME	WATT	LUMEN	EFFICACY	CCT	CRI	ANGLE	FINISH	CONTROL
ProLed 75 TL	18W	1426	81	2700K	2700K	CRI80	26°(MD) 26°(SS)	White SWH Non Dimmable On/Off
		1478	84	3000K	3000K	CRI90	44°(WD) 44°(WD)	Black SBL Phase Dimmable PDIM
		1549	88	4000K	4000K		58°(VWD) 58°(VWD)	Dali Dimmable DDIM
		1584	90	5700K	5700K			Bluetooth Dimmable BTTM Casambi CBTM
ProLed 75 TL	18W			2700K	CRI80	26°(MD)	SWH On/Off	

