

Spotboy Pro SR 50 | 10W

Product Reference

Environment Indoor

Installation Semi Recess

Construction & Materials

Housing Die Cast Aluminium, Milled Aluminium

Primary Lens PMMA

Primary Reflector -

Secondary Reflector -

Body Finish White, Black, Custom

Diffuser -

Antiglare Baffle -

Thermal Management

Heat Sink Material Die cast Aluminium

Cooling Technique Passive Cooling

Optical System

Beam Direction Adjustable

Tilt Yes

Swivel Yes

Electrical System

Driven with Constant Current Driver

Input Voltage/Hz 220V- 240V/50-60Hz

Control Gear Included

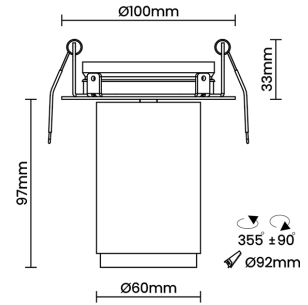
Mounting Remote

LED Power Watts 9.0W

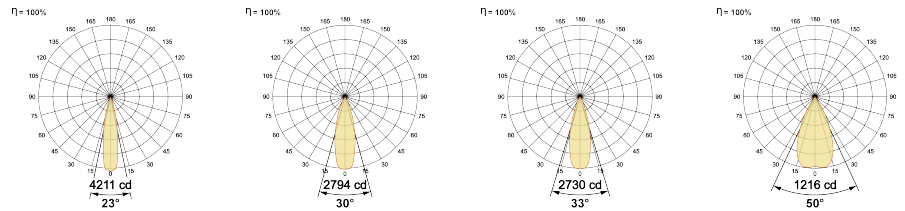
System Power Watts 10.3W

Operating Voltage V_{in} 220-240 Vac

Power Factor p.f. > 0.95



Light Distribution



LED Technology

Binning 3 Step MacAdam

LED Life Time @ L80/B10 >50000 hours

Colour Rendering (CRI) CRI80, CRI90

Led Type COB

LED Fitted Cree COB LED 33V-36Vdc/250mA

Controls

Standard Switchable On/Off

Optional PDIM, DDIM, BTM, CASAMBI, Non Dimmable

Ordering Details

Code Example:	Name	Watt	CCT	CRI	Angle	Finish	Control
	Spotboy Pro SR 50	10W	WW27K	CRI80	23°(SS)	SWH	On/Off

Select one from each column with highlighted values to create the ordering code

NAME	WATT	LUMEN	EFFICACY	CCT	CRI	ANGLE	FINISH	CONTROL	
Spotboy Pro SR 50	10W	948	92	2700K	WW27K	CRI80	23°(SS)	White SWH	Non Dimmable On/Off
		979	95	3000K	WW30K	CRI90	30°(MD)	Black SBL	Phase Dimmable PDIM
		1030	100	4000K	NW40K		33°(WD)	Custom CSM	Dali Dimmable DDIM
		1051	102	5700K	CW57K		50°(VWD)		Bluetooth Dimmable BTTM
				2700K-5700K Warm to Dim	TW W2D				Casambi CBTM
Spotboy Pro SR 50	10W			WW27K	CRI80	23°(SS)	SWH	On/Off	

Abby Lighting & Switchgear Limited 802 A, Fortune Terraces, New Link Road, Opp City Mall, Andheri West, Mumbai - 400053, India.

frontdesk@abbylighting.com, +91 9833645212

Abby reserves the right to discontinue any product from its collection at any time whatsoever and without prior notice

www.abbylighting.com