

Go Pro 70 HGB | 36W

Product Reference

Environment Indoor

Installation Track Mounted

Construction & Materials

Housing Die Cast Aluminium

Primary Lens PMMA

Primary Reflector -

Secondary Reflector Anodised

Body Finish White,Black

Diffuser -

Antiglare Baffle -

Thermal Management

Heat Sink Material Die cast Aluminium

Cooling Technique Passive Cooling

Optical System

Beam Direction Adjustable

Tilt Yes

Swivel Yes

Electrical System

Driven with Constant Current Driver

Input Voltage/Hz 220V- 240V/50-60Hz

Control Gear Included

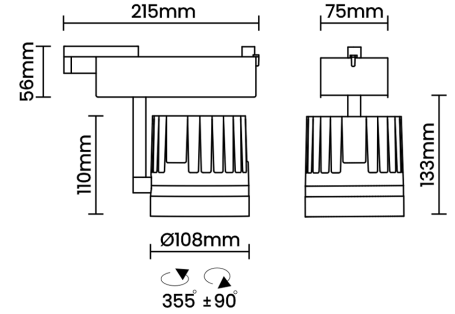
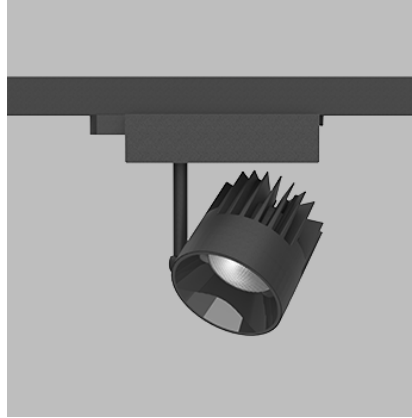
Mounting Integral

LED Power Watts 31.4W

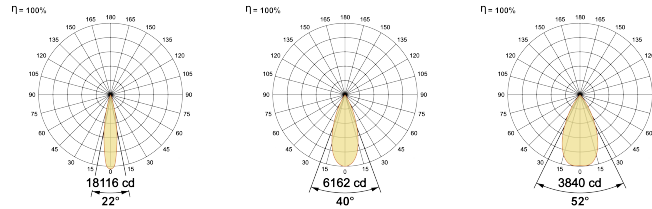
System Power Watts 36.1W

Operating Voltage V_{in} 220-240 Vac

Power Factor p.f. > 0.95



Light Distribution



LED Technology

Binning 3 Step MacAdam

LED Life Time @ L80/B10 >50000 hours

Colour Rendering (CRI) CRI80,CRI90

Led Type COB

LED Fitted CREE COB LED 36Vdc/900mA

Controls

Standard Switchable On/Off

Optional DDIM,Non Dimmable

Ordering Details

Code Example:	Name	Watt	CCT	CRI	Angle	Finish	Control
	Go Pro 70 HGB	36W	WW27K	CRI80	22°(SS)	SWH	On/Off

Select one from each column with highlighted values to create the ordering code

NAME	WATT	LUMEN	EFFICACY	CCT	CRI	ANGLE	FINISH	CONTROL	
Go Pro 70 HGB	36W	2888	80	2700K	WW27K	CRI80	22°(SS)	White SWH	Non Dimmable On/Off
		2960	82	3000K	WW30K	CRI90	40°(MD)	Black SBL	Dali Dimmable DDIM
		3105	86	4000K	NW40K		52°(WD)		
		3177	88	5700K	CW57K				
Go Pro 70 HGB	36W			WW27K	CRI80	22°(SS)	SWH	On/Off	

