

Go Pro 70 HGB | 30W

Product Reference

Environment Indoor

Installation Track Mounted

Construction & Materials

Housing Die Cast Aluminium

Primary Lens PMMA

Primary Reflector -

Secondary Reflector Anodised

Body Finish White,Black

Diffuser -

Antiglare Baffle -

Thermal Management

Heat Sink Material Die cast Aluminium

Cooling Technique Passive Cooling

Optical System

Beam Direction Adjustable

Tilt Yes

Swivel Yes

Electrical System

Driven with Constant Current Driver

Input Voltage/Hz 220V- 240V/50-60Hz

Control Gear Included

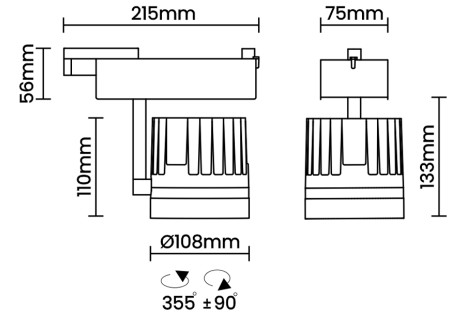
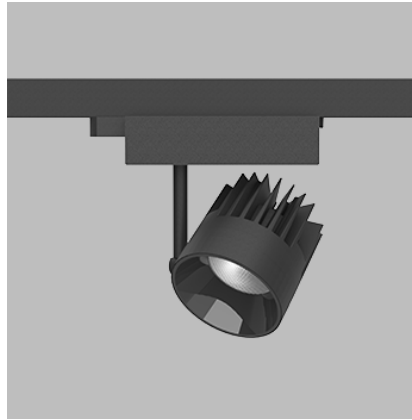
Mounting Integral

LED Power Watts 25.4W

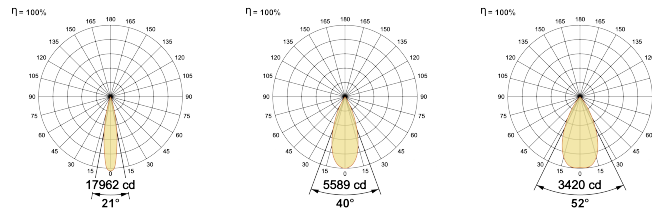
System Power Watts 29.2W

Operating Voltage Vin 220-240 Vac

Power Factor p.f. > 0.95



Light Distribution



LED Technology

Binning 3 Step MacAdam

LED Life Time @ L80/B10 >50000 hours

Colour Rendering (CRI) CRI80,CRI90

Led Type COB

LED Fitted CREE COB LED 36Vdc/750mA

Controls

Standard Switchable On/Off

Optional DDIM,Non Dimmable

Ordering Details

Code Example:	Name	Watt	CCT	CRI	Angle	Finish	Control
	Go Pro 70 HGB	30W	WW27K	CRI80	21°(SS)	SWH	On/Off

Select one from each column with highlighted values to create the ordering code

NAME	WATT	LUMEN	EFFICACY	CCT	CRI	ANGLE	FINISH	CONTROL	
Go Pro 70 HGB	30W	2570	88	2700K	WW27K	CRI80	21°(SS)	White SWH	Non Dimmable On/Off
		2657	91	3000K	WW30K	CRI90	40°(MD)	Black SBL	Dali Dimmable DDIM
		2803	96	4000K	NW40K		52°(WD)		
		2862	98	5700K	CW57K				
Go Pro 70 HGB	30W			WW27K	CRI80	21°(SS)	SWH	On/Off	

